



Installation

> A237R Specifications

- Width.....1.375"
- Height.....3.25"
- Depth.....1.125"
- Weight.....0.25 Lbs
- Max spacing between clips.....48" OC
- Max Load.....36 Lbs

> Furring Channel Specifications

- Minimum.....25 Gauge with hemmed edge
- Depth.....7/8" or 1-1/2"
- Width at top.....1-1/4"
- Width at bottom.....2-1/2"

*When splicing hat channel, overlap 6 inches in between two Resilmount clips. Secure the channel with two 7/16" framing screws or 18 Gauge tie wire can be used.

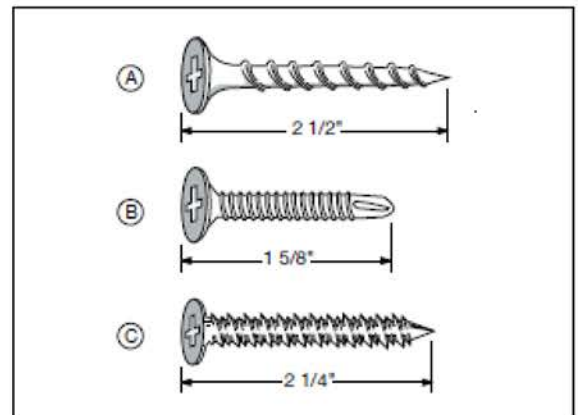
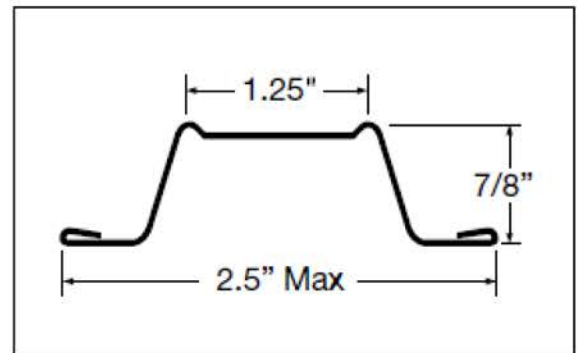
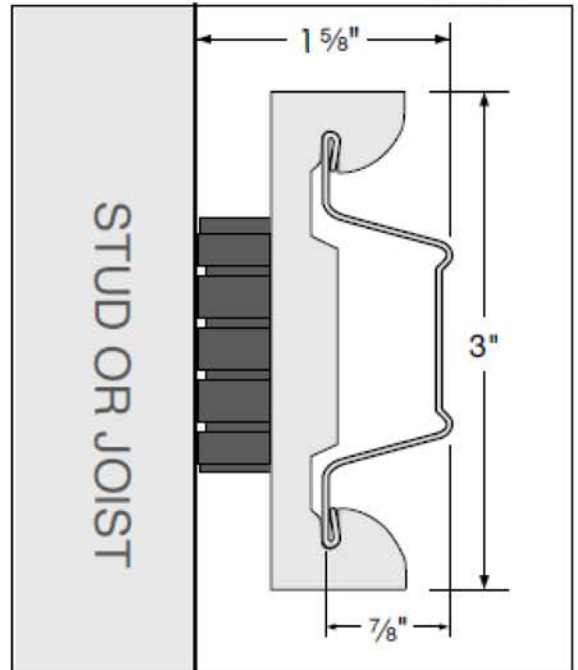
*Available at your local building supply stores

> Fasteners

- (A) Wood: # 8 x 2-1/2" Coarse Threads
- (B) Steel: #8, #10 or #12 x 1-5/8" Self Tapping Type S
- (C) Concrete: 3/16" x 2-1/4" Anchor Screws

DO NOT fasten Resilmount clips to framing members with nails. Use only approved screws.

*Uncontrolled copy. This document is subject to change without notice - please check currency of document prior to use.



WILREP LTD.



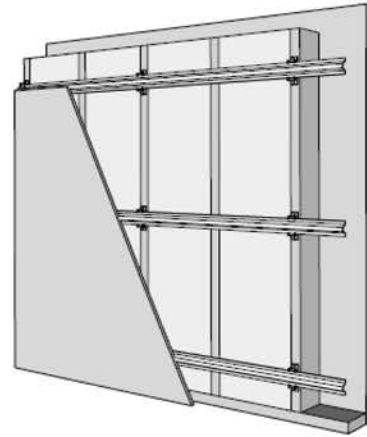
For Technical Support & Assistance,
Contact AcoustiGuard - WILREP LTD. 1-888-625-8944



WALL INSTALLATION GUIDE

> Installation Notes

- RESILMOUNT A237R shall not exceed 48" on center
- Spacing between hat channels shall not exceed 24"
- Fasten the Resilmount A237R to the substrate with a fastener approved for a minimum pull-out and shear of 120 Lbs.
- Locate the bottom row of Resilmount A237R within 3" of the floor. (May be adjusted lower to accommodate installation of baseboard)
- Hat Channels are installed horizontal to the floor.
- Use a 4 foot level to ensure that Resilmount A237R and furring channels are installed horizontal and level
- Install the drywall vertically from the bottom up leaving a 1/4" thick gap around perimeter of wall to be filled with acoustical caulk. Caulk around the entire perimeter of the gypsum board.



Step 1

Review layout guidelines before starting installation of walls or ceilings (see Page 6). We suggest installing the ceiling first, before installing the walls.



Figure 2.1: Screw clips into stud wall

Step 2

Space Resilmount A237R so not to exceed 48" OC. Secure clips with a single fastener through the middle screw hole in the clip(Fig 2.1).

FOR FIRE RATED APPLICATIONS SEE PAGE 4 FOR INSTALLATION INSTRUCTIONS

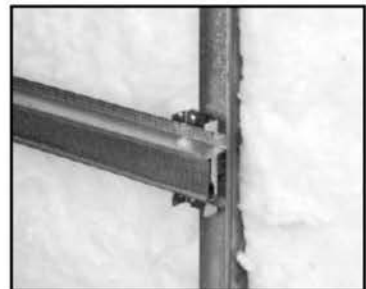
Wood: Use #8 x 2-1/2" coarse thread screws
 Steel: Use #8, #10, or #12 x 1-5/8" Type s Self tapping screws
 Concrete: Use 3/16" x 2-1/4" Tapcon or equal anchor



Figure 2.2: Snap hat channel into clip

Step 3

Snap hat channel onto Resilmount A237R. (Fig 2.2)



WILREP LTD.



For Technical Support & Assistance,
 Contact AcoustiGuard - WILREP LTD. 1-888-625-8944



WALL INSTALLATION GUIDE (Con't)

Step 4

The Floor Shims are critical to ensure best results. Place 1/4" shims on floor in front of sole plate (Fig 3.1). Install the first row of drywall vertically against the wall (Fig 3.2). Attach drywall to channel following local building codes.

Note: Only remove the shims after all the gypsum board is completely screwed to all furring channels.



Figure 3.1: Place shims on floor in front of base plate

Step 5

Use acoustical caulk around the entire perimeter of each wall(See Figure 3.3)



Figure 3.2: Install drywall vertically to hat channels

> Load Specification for Resilmount Clip

Resilmount Clips are designed to carry furring channel with one or more layers of gypsum wallboard attached. The load capacity of the clips depends on the gauge of the hat channel used.

25 Gauge furring channel carries less load than 22 Gauge channel but performs better acoustically. The maximum design load capacity for the Resilmount Clips in shear (Wall Application) or in tension (Ceiling Applications) as follows. Design load calculations are based on testing loading to failure where the furring channel deforms.



Figure 3.3: Use Acoustical Caulk around the perimeter and edges

Maximum Load for Wall and Ceiling

	2:1 safety factor	2.5:1 safety factor*
Resilmount Clips w/ 25 gauge hat channel	45 lbs	36 lbs
Resilmount Clips w/ 22 gauge hat channel	60 lbs	48 lbs

* Suggested safety factor of 2.5:1 for more critical life safety applications

Note: 5/8" thick gypsum wallboard weighs 2.3 lbs/sq ft.
1/2" thick gypsum wallboard weighs 1.85 lbs/sq ft.



Figure 3.4: Tape and mud drywall

WILREP LTD.



For Technical Support & Assistance,
Contact AcoustiGuard - WILREP LTD. 1-888-625-8944



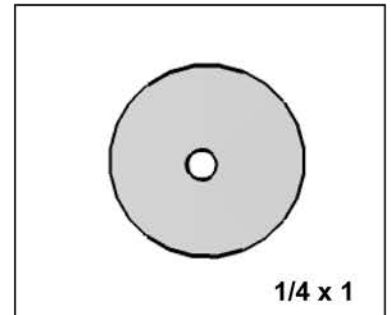
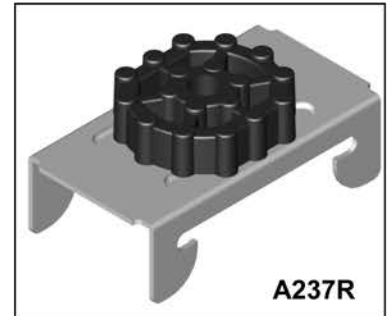
FIRE RATED APPLICATIONS

> Components

- A237R Resilient Mounts
 - 1/4 x 1 Washer - supplied by Studco
 - APPROVED SCREWS- *Not Supplied by Studco*
- (A) Wood: # 8 x 2-1/2" Coarse Thread
 (B) Steel: # 8 or #10 X 1-5/8" Self Tapping Type S
 (C) Concrete: 3/16" x 2-1/2" Anchor Screws

On steel truss & C stud applications the screws are replaced with a 1/4 x 1-1/2" bolt with a nylox nut - *Not supplied by Studco*

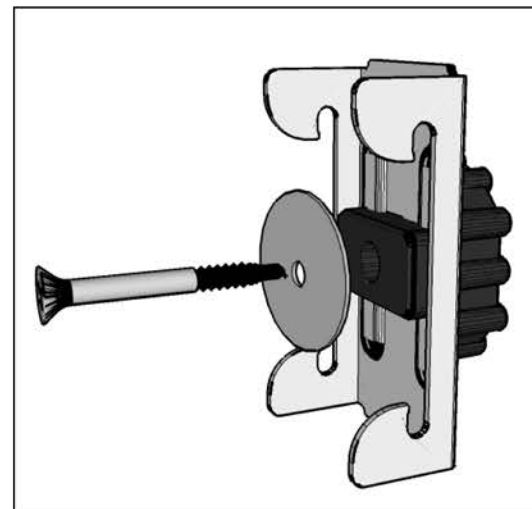
DO NOT fasten RESILMOUNT clips to framing members with nails. Use only approved screws



> Installation

MUST READ RESILMOUNTS STANDARD INSTALLATION INSTRUCTIONS BEFORE INSTALLING THE CLIPS.

VERY IMPORTANT: On Fire Rated Applications the RESILMOUNT Washer must be installed as shown in FIG. 1. If this washer is not installed the clip has no Fire Rating.



WILREP LTD.



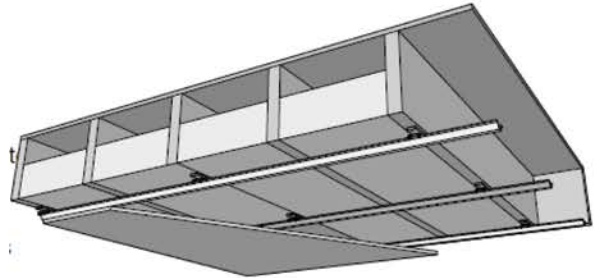
For Technical Support & Assistance,
 Contact AcoustiGuard - WILREP LTD. 1-888-625-8944



CEILING INSTALLATION GUIDE

> Installation Notes

- RESILMOUNT A237R shall not exceed 48" on center
- Spacing between hat channels shall not exceed 24"
- Fasten the Resilmount A237R to the substrate with a fastener approved for a minimum pull-out and shear of 120 Lbs.
- Locate the first row of A237R within 6 inches of the wall and within 6 inches of the opposite wall
- Hat Channels are installed perpendicular to the joists.
- Install the gypsum board leaving 1/4" thick gap around perimeter to be filled with acoustical caulk.
- Caulk around the entire perimeter of the gypsum board.



Step 1

Review layout guidelines before starting installation of walls or ceilings (see Page 6). We suggest installing the ceiling first, before installing the walls.

Step 2

Space Resilmount A237R so not to exceed 48" OC. Secure clips with a single fastener through the middle screw hole in the clip (Fig 2.1).

FOR FIRE RATED APPLICATIONS SEE PAGE 4 FOR INSTALLATION INSTRUCTIONS

Wood: Use #8 x 2-1/2" coarse thread screws
 Steel: Use #8, #10, or #12 x 1-5/8" Type s Self tapping screws
 Concrete: Use 3/16" x 2-1/4" Tapcon or equal anchor

Step 3

Snap hat channel onto Resilmount A237R. (Fig 2.2)



Figure 5.1: Screw A237R into joist

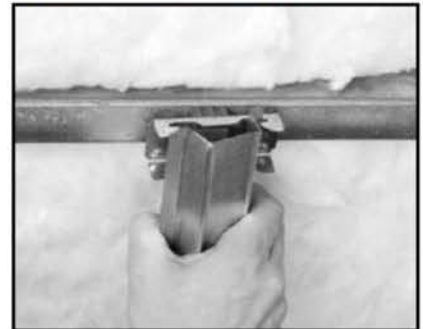


Figure 5.2: Secure second anchor

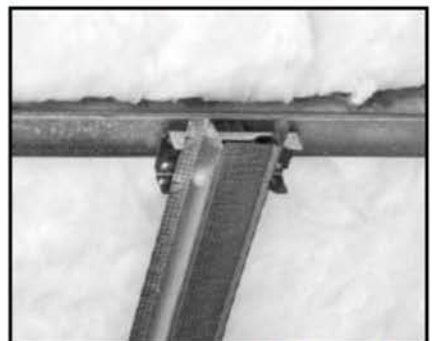
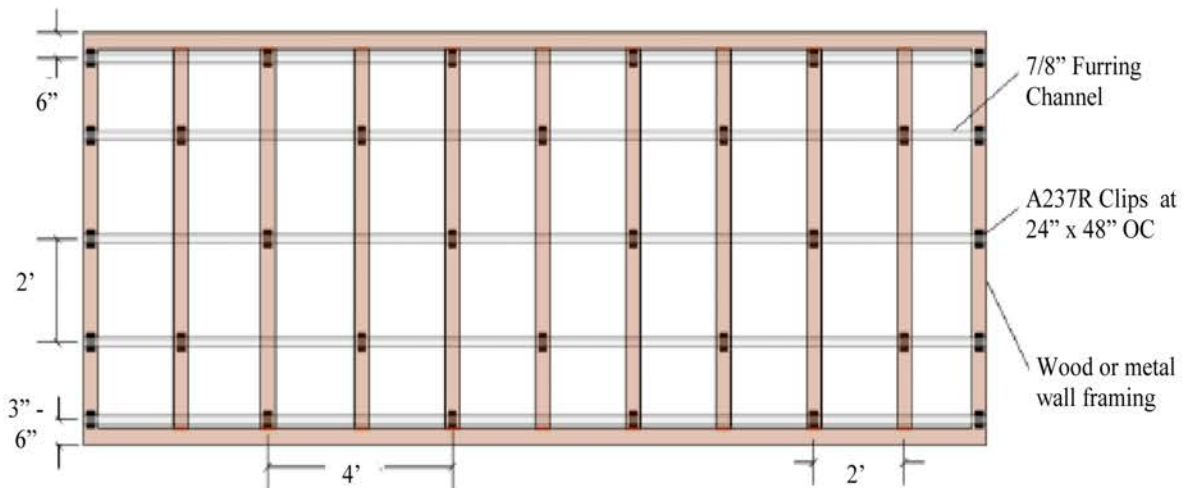


Figure 5.3: Snap A237R into hat channel

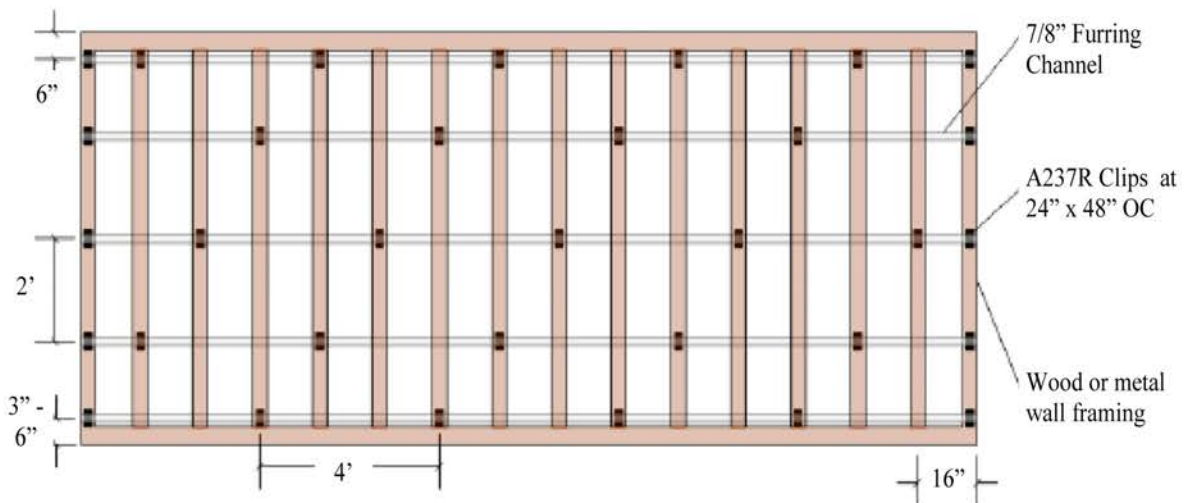


Layouts on WOOD and METAL Stud Walls & Ceilings

Layouts for studs at 24" OC with 1 or 2 layers of Gypsum Board



Layouts for studs at 16 inch on center studs with 1 or 2 layers of Gypsum Board



WILREP LTD.



For Technical Support & Assistance,
Contact AcoustiGuard - WILREP LTD. 1-888-625-8944



CLIP USAGE GUIDE FOR WALLS & CEILINGS

Studs at 16" O.C. and Furring Channel at 16" O.C.

		WIDTH									
		1' to 4'	5' to 8'	9' to 12'	13' to 16'	17' to 20'	21' to 24'	25' to 28'	29' to 32'	33' to 36'	37' to 40'
HEIGHT	1' to 2' 8"	4	6	8	10	12	14	16	18	20	22
	2'9" to 4'	6	11	14	17	20	23	26	29	32	35
	4'1" to 5'4"	8	14	18	22	26	30	34	38	42	46
	5'5" to 6'8"	10	18	23	28	33	38	43	48	53	58
	6'9" to 8'0"	12	22	28	34	40	46	52	58	64	70
	8'1" to 9'4"	14	25	32	39	46	53	60	67	74	81
	9'5" to 10'8"	16	29	37	45	53	61	69	77	85	93
	10'9" to 12'	18	33	42	51	60	69	78	87	96	105
	12'1" to 13'4"	20	36	46	56	66	76	86	96	106	116
	13'5" to 14'8"	22	40	51	62	73	84	95	106	117	128
	14'9" to 16'0"	24	44	56	68	80	92	104	116	128	140
	16'1" to 17'4"	26	47	60	73	86	99	112	125	138	151
	17'5" to 18'8"	28	51	65	79	93	107	121	135	149	163
	18'9" to 20'	30	55	70	85	100	115	130	145	160	175
	20'1" to 21'4"	32	58	74	90	106	122	138	154	170	186
	21'5" to 22'8"	34	62	79	96	113	130	147	164	181	198
	22'9" to 24'	36	66	84	102	120	138	156	174	192	210
	24'1" to 25'4"	38	69	88	107	126	145	164	183	202	221
	25'5" to 26'8"	40	73	93	113	133	153	173	193	213	233
	26'9" to 28'	42	77	98	119	140	161	182	203	224	245
28'1" to 29'4"	44	80	102	124	146	168	190	212	234	256	
29'5" to 30'8"	46	84	107	130	153	176	199	222	245	268	
30'9" to 32'	48	88	112	136	160	184	208	232	256	280	
32'1" to 33'4"	50	91	116	141	166	191	216	241	266	291	
33'5" to 34'8"	52	95	121	147	173	199	225	251	277	303	
34'9" to 36'	54	99	126	153	180	207	234	261	288	315	
36' 1" to 37'4"	56	102	130	158	186	214	242	270	298	326	
37'5" to 38'8"	58	106	135	164	193	222	251	280	309	338	
38'9" to 40'	60	110	140	170	200	230	260	290	320	350	

WILREP LTD.



AcoustiGuardTM
SOUND & VIBRATION CONTROL

For Technical Support & Assistance,
Contact AcoustiGuard - WILREP LTD. 1-888-625-8944



CLIP USAGE GUIDE FOR WALLS & CEILINGS

Studs at 24" O.C. and Furring Channel at 16" O.C.

		WIDTH									
		1' to 4'	5' to 8'	9' to 12'	13' to 16'	17' to 20'	21' to 24'	25' to 28'	29' to 32'	33' to 36'	37' to 40'
HEIGHT	1' to 2' 8"	4	6	8	10	12	14	16	18	20	22
	2'9" to 4'	6	9	12	15	18	21	24	27	30	33
	4'1" to 5'4"	8	12	16	20	24	28	32	36	40	44
	5'5" to 6'8"	10	15	20	25	30	35	40	45	50	55
	6'9" to 8'0"	12	18	24	30	36	42	48	54	60	66
	8'1" to 9'4"	14	21	28	35	42	49	56	63	70	77
	9'5" to 10'8"	16	24	32	40	48	56	64	72	80	88
	10'9" to 12'	18	27	36	45	54	63	72	81	90	99
	12'1" to 13'4"	20	30	40	50	60	70	80	90	100	110
	13'5" to 14'8"	22	33	44	55	66	77	88	99	110	121
	14'9" to 16'0"	24	36	48	60	72	84	96	108	120	132
	16'1" to 17'4"	26	39	52	65	78	91	104	117	130	143
	17'5" to 18'8"	28	42	56	70	84	98	112	126	140	154
	18'9" to 20'	30	45	60	75	90	105	120	135	150	165
	20'1" to 21'4"	32	48	64	80	96	112	128	144	160	176
	21'5" to 22'8"	34	51	68	85	102	119	136	153	170	187
	22'9" to 24'	36	54	72	90	108	126	144	162	180	198
	24'1" to 25'4"	38	57	76	95	114	133	152	171	190	209
	25'5" to 26'8"	40	60	80	100	120	140	160	180	200	220
	26'9" to 28'	42	63	84	105	126	147	168	189	210	231
28'1" to 29'4"	44	66	88	110	132	154	176	198	220	242	
29'5" to 30'8"	46	69	92	115	138	161	184	207	230	253	
30'9" to 32'	48	72	96	120	144	168	192	216	240	264	
32'1" to 33'4"	50	75	100	125	150	175	200	225	250	275	
33'5" to 34'8"	52	78	104	130	156	182	208	234	260	286	
34'9" to 36'	54	81	108	135	162	189	216	243	270	297	
36' 1" to 37'4"	56	84	112	140	168	196	224	252	280	308	
37'5" to 38'8"	58	87	116	145	174	203	232	261	290	319	
38'9" to 40'	60	90	120	150	180	210	240	270	300	330	

WILREP LTD.



AcoustiGuardTM
SOUND & VIBRATION CONTROL

For Technical Support & Assistance,
Contact AcoustiGuard - WILREP LTD. 1-888-625-8944



CLIP USAGE GUIDE FOR WALLS & CEILINGS

Studs at 16" O.C. and Furring Channel at 24" O.C.

		WIDTH									
		1' to 4'	5' to 8'	9' to 12'	13' to 16'	17' to 20'	21' to 24'	25' to 28'	29' to 32'	33' to 36'	37' to 40'
HEIGHT	1' to 2'	4	6	8	10	12	14	16	18	20	22
	3' to 4'	6	11	14	17	20	23	26	29	32	35
	5' to 6'	8	14	18	22	26	30	34	38	42	46
	7' to 8'	10	18	23	28	33	38	43	48	53	58
	9' to 10'	12	22	28	34	40	46	52	58	64	70
	11' to 12'	14	25	32	39	46	53	60	67	74	81
	13' to 14'	16	29	37	45	53	61	69	77	85	93
	15' to 16'	18	33	42	51	60	69	78	87	96	105
	17' to 18'	20	36	46	56	66	76	86	96	106	116
	19' to 20'	22	40	51	62	73	84	95	106	117	128
	21' to 22'	24	44	56	68	80	92	104	116	128	140
	23' to 24'	26	47	60	73	86	99	112	125	138	151
	25' to 26'	28	51	65	79	93	107	121	135	149	163
	27' to 28'	30	55	70	85	100	115	130	145	160	175
	29' to 30'	32	58	74	90	106	122	138	154	170	186
	31' to 32'	34	62	79	96	113	130	147	164	181	198
	33' to 34'	36	66	84	102	120	138	156	174	192	210
35' to 36'	38	69	88	107	126	145	164	183	202	221	
37' to 38'	40	73	93	113	133	153	173	193	213	233	
39' to 40'	42	77	98	119	140	161	182	203	224	245	

Studs at 24" O.C. and Furring Channel at 24" O.C.

		WIDTH									
		1' to 4'	5' to 8'	9' to 12'	13' to 16'	17' to 20'	21' to 24'	25' to 28'	29' to 32'	33' to 36'	37' to 40'
HEIGHT	1' to 2'	4	7	9	11	13	15	17	19	21	23
	3' to 4'	6	10	13	16	19	22	25	28	31	34
	5' to 6'	8	14	18	22	26	30	34	38	42	46
	7' to 8'	10	17	22	27	32	37	42	47	52	57
	9' to 10'	12	21	27	33	39	45	51	57	63	69
	11' to 12'	14	24	31	38	45	52	59	66	73	80
	13' to 14'	16	28	36	44	52	60	68	76	84	92
	15' to 16'	18	31	40	49	58	67	76	84	93	102
	17' to 18'	20	35	45	55	65	75	85	95	105	115
	19' to 20'	22	38	49	60	71	82	93	104	115	126
	21' to 22'	24	42	54	66	78	90	102	114	126	138
	23' to 24'	26	45	58	71	84	97	110	123	136	149
	25' to 26'	28	49	63	77	91	105	119	133	147	161
	27' to 28'	30	52	67	82	97	112	127	142	157	172
	29' to 30'	32	56	72	88	104	120	136	152	168	184
	31' to 32'	34	59	76	93	110	127	144	161	178	195
	33' to 34'	36	63	81	99	117	135	153	171	189	207
35' to 36'	38	66	85	104	123	142	161	180	199	218	
37' to 38'	40	70	90	110	130	150	170	190	210	230	
39' to 40'	42	73	94	115	136	157	178	199	220	241	

WILREP LTD.



AcoustiGuardTM
SOUND & VIBRATION CONTROL

For Technical Support & Assistance,
Contact AcoustiGuard - WILREP LTD. 1-888-625-8944